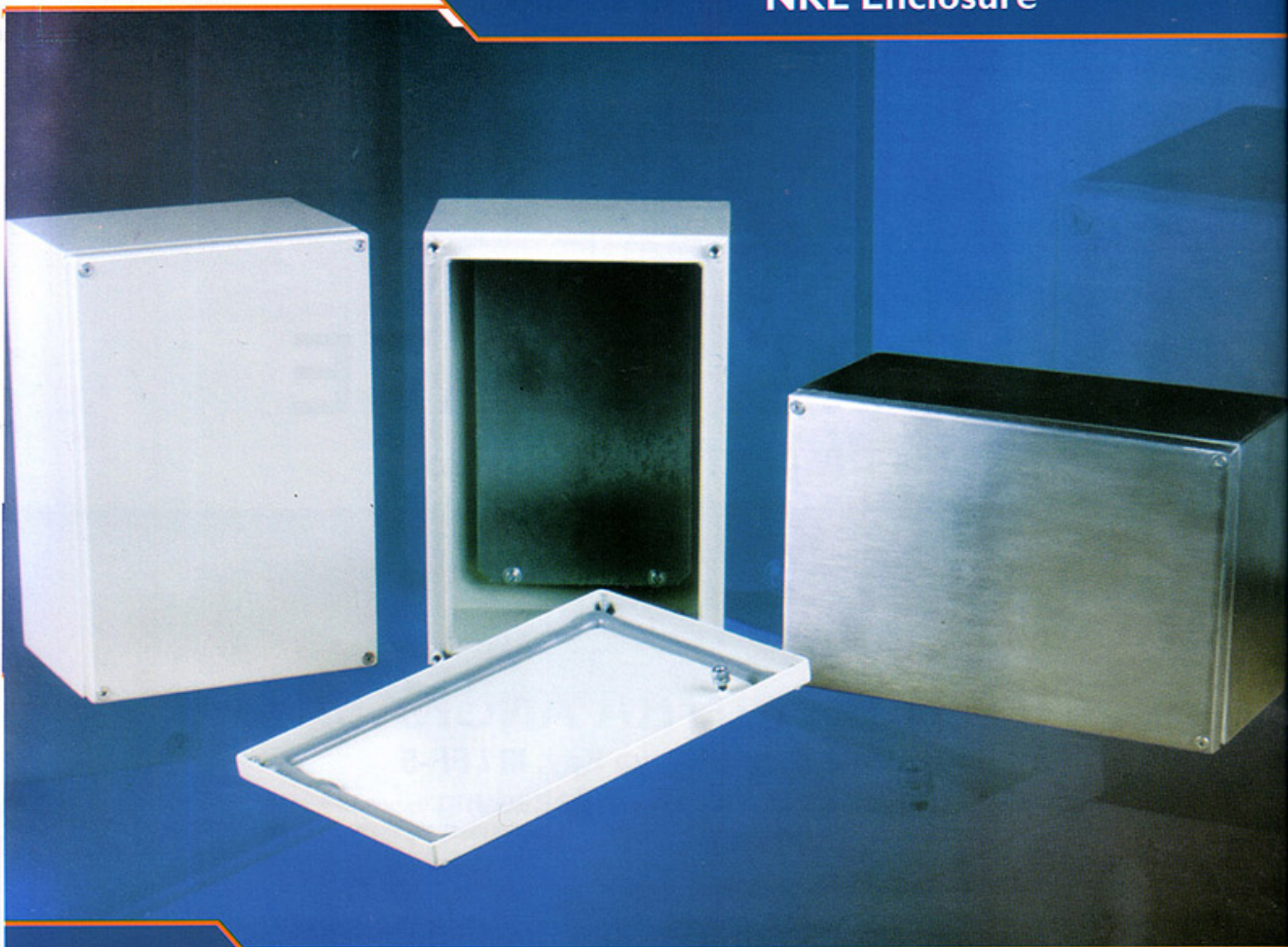


NKL Enclosure



Nobi NKL enclosure range is perfect for terminal boxes. Excellent designs, high protection category, practical sizes, and sturdy construction ensure optimum protection.

With a wide variety of material options, you can choose from an economical steel type, a lightweight corrosion resistant aluminum type to an ultimate corrosion resistant stainless steel type.

Material :

Four kind of materials for box and door :
SPCC Sheet Steel, Aluminum Alloy 5052 H32, SUS 304, and SUS 316L

Mounting plate :

SPCC Sheet Steel (for Steel and Aluminum box) and Zinc plated steel (for SUS 304 and SUS 316L box)

Gasket :

Continuous Polyurethane.

Lock System :

Bolted.

Surface Finish :

Powder Coating in textured RAL 7032, or Natural Polished (only available for SUS 304 and 316L material).

Protection Category :

- IP 66 to EN 60529 and IEC 529
- NEMA 4 (for Steel), NEMA 4X (for SUS 304 and SUS 316L material only)

Supply Include :

Fully Welded enclosure of solid construction, cover with screw and foamed in place gasket, mounting plate.

Possible Design :

Cut out at any position.

Available Accessories :

Wall Bracket (welded and bolted), Removable Gland Plate (Protection Category IP 55).

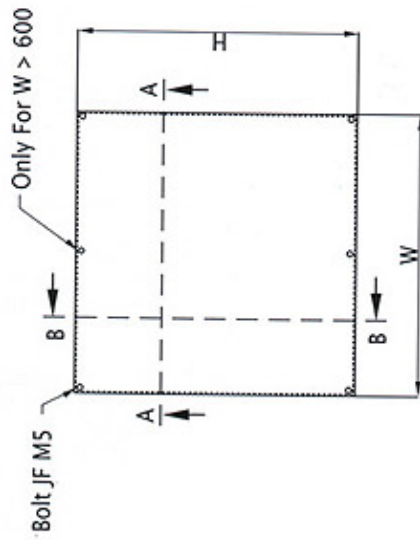
Note :

For information about modifications and additional accessories please contact our Sales Engineer.

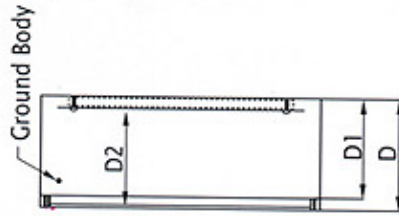
NKL Enclosure

Design Outline

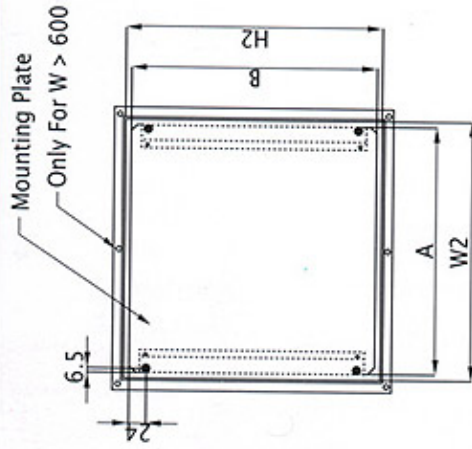
NKL



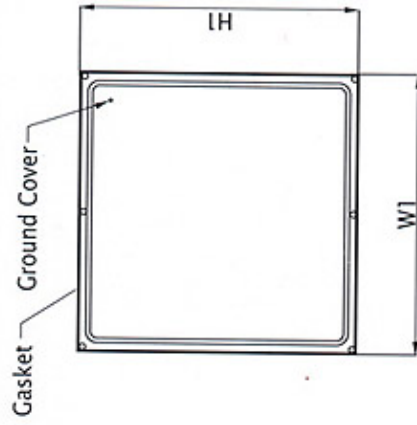
FRONT VIEW



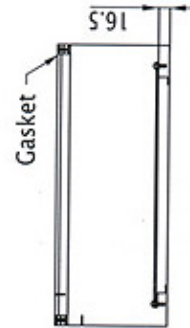
SECTION B - B



FRONT VIEW WITHOUT COVER



DETAIL INSIDE VIEW OF COVER



SECTION A - A

NKL

NKL STEEL

Code	Width Measurement			Height Measurement			Depth Measurement			Mounting Plate Dimension	
	W	W1	W2	H	H1	H2	D	D1	D2	A	B
NKL 1530P	300	298	266	150	148	116	150	133	129.5	250	100
NKL 1531P	300	298	266	200	198	166				250	150
NKL 1532P	400	398	366	200	198	166				350	150
NKL 1533P	500	498	466	200	198	166				450	150
NKL 1534P	600	598	566	200	198	166				550	150
NKL 1535P	300	298	266	300	298	266				250	250
NKL 1536P	400	398	366	300	298	266				350	250
NKL 1539P	400	398	366	400	398	366				350	350
NKL 1537P	500	498	466	300	298	266				450	250
NKL 1538P	600	598	566	300	298	266				550	250
NKL 1540P	600	598	566	400	398	366				550	350
NKL 1542P	800	798	766	200	198	166				750	150

NKL ALUMINUM

NKL 1530A	300	298	266	150	148	116	150	133	129.5	250	100
NKL 1531A	300	298	266	200	198	166				250	150
NKL 1532A	400	398	366	200	198	166				350	150
NKL 1533A	500	498	466	200	198	166				450	150
NKL 1534A	600	598	566	200	198	166				550	150
NKL 1535A	300	298	266	300	298	266				250	250
NKL 1536A	400	398	366	300	298	266				350	250
NKL 1539A	400	398	366	400	398	366				350	350
NKL 1537A	500	498	466	300	298	266				450	250
NKL 1538A	600	598	566	300	298	266				550	250
NKL 1540A	600	598	566	400	398	366				550	350
NKL 1542A	800	798	766	200	198	166				750	150

NKL STAINLESS STEEL

NKL 1530S	300	298	266	150	148	116	150	133	129.5	250	100
NKL 1531S	300	298	266	200	198	166				250	150
NKL 1532S	400	398	366	200	198	166				350	150
NKL 1533S	500	498	466	200	198	166				450	150
NKL 1534S	600	598	566	200	198	166				550	150
NKL 1535S	300	298	266	300	298	266				250	250
NKL 1536S	400	398	366	300	298	266				350	250
NKL 1539S	400	398	366	400	398	366				350	350
NKL 1537S	500	498	466	300	298	266				450	250
NKL 1538S	600	598	566	300	298	266				550	250
NKL 1540S	600	598	566	400	398	366				550	350
NKL 1542S	800	798	766	200	198	166				750	150

Remarks

W : Overall Width
 W1 : Width Of Cover
 W2 : Clearance Opening Of Inside Box
 H : Overall Height
 H1 : Height Of Cover
 H2 : Clearance Opening Of Inside Box

D : Overall Depth
 D1 : Depth Of Box
 D2 : Clearance Between The Mounting Plate To inside Door Plate
 A : Width Of Mounting Plate
 B : Height Of Mounting Plate